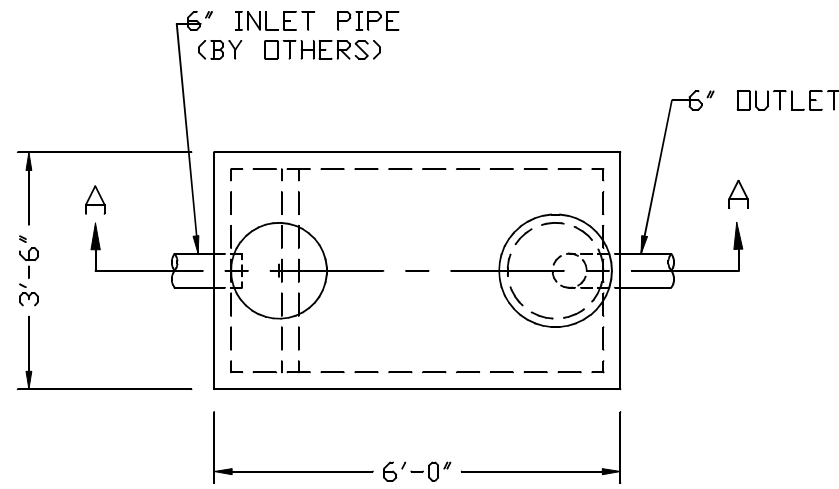
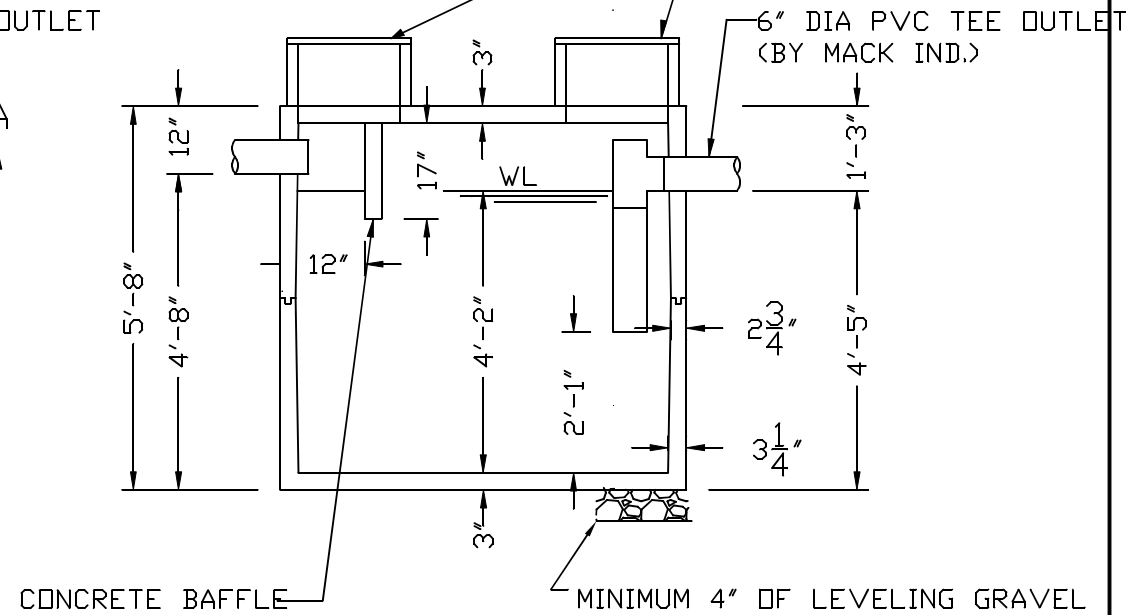


**Addendum II - PTI Eng. Dwg Trap for Hinckley WWTP Bid Package**

(2) 18" DIA MH. RISERS WITH EAST JORDAN C.I. FRAME AND COVER



TOP VIEW



SECTION A-A

NOTES:

1. REINFORCED PRECAST CONCRETE SHALL HAVE A COMPRESSIVE STRENGTH OF 5000 PSI AT 28 DAYS.
2. 18" DIA. RISER AVAILABLE IN 12", 15" + 24" HEIGHTS.
3. CONSTRUCTION JOINT TO BE SEALED WITH 1" CONSEAL CS-101 SEALANT.
4. 18" DIA MH. ABOVE INLET

THIS DRAWING IS THE PROPERTY OF MACK INDUSTRIES, INC., AND IT OR THE TECHNOLOGY CONTAINED HEREIN MAY NOT BE REPRODUCED NOR USED EXCEPT AS ORIGINALLY INTENDED WITHOUT THE EXPRESSED CONSENT OF MACK INDUSTRIES, INC.

|   |                     |              |
|---|---------------------|--------------|
| <b>500 GALLON TRASH TRAP</b>                              |                     |              |
| DRAWN BY: BK  | SCALE: 3/8" = 1'-0" | DRAWING NO.: |
| DATE: 5/9/95  | REV: 6/19/01 CJ     | F-1          |
| <b>MACK INDUSTRIES, INC.</b>                              |                     |              |
| 201 COLUMBIA ROAD, VALLEY CITY, OHIO 44280 (330) 483-3111 |                     |              |

NOTE:

1. Provide Mack Industries Tank as shown or approved equal.
2. Include 18" dia. riser with East Jordan C.I. frame and cover above inlet.

HINCKLEY COMMUNITY CENTER WWTP

TRASH TRAP

|                |               |              |
|----------------|---------------|--------------|
| DRAWN BY: GJN  | SCALE: N.T.S. | DRAWING NO.: |
| DATE: 10/12/19 | REV:          | 1900010-04   |



446 MAPLEBROOKE DR. E., WESTERVILLE, OHIO  
WWW.OTISCOENGINEERING.COM